

# VOLTA TUNABLE - MODEL: ADDT45

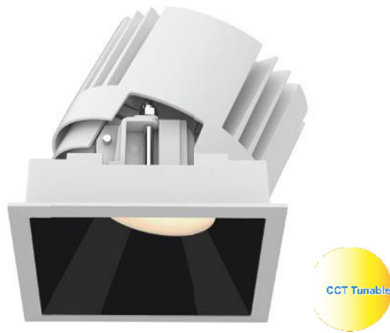
# WAC LIGHTING

## 4" Square Narrow Tunable Recessed Downlight

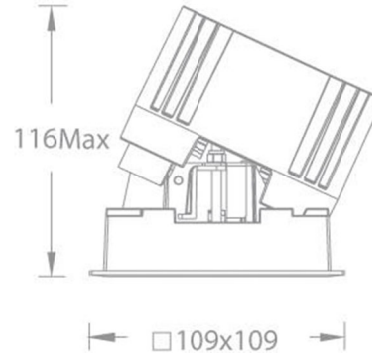
Project Name:

Type:

Product Image



Line Drawing



### Product Description

VOLTA Tunable series LED Square narrow recessed downlight, streamlined appearance, with precise lens and black mirror reflector design. It guarantees light output while still achieving the ultimate anti-glare effect, and the light source cavity is sealed to minimize the impact of humid environment on its performance. Free to remove and replace the reflector or optical accessories, greatly improving the convenience of the site. Mainly suitable for hotel and commercial indoor places.

### Product Features

- **Body Material:** Aluminum die-casting lamp body
- **Optical System:** Lens+Reflector
- **Finish:** Electrostatic powder coating
- **Objection Angle:** Vertical 0-25° adjustable
- **Accessory / Bracket:** See attachment
- **Certification:** CCC
- **IP Rating:** IP20 (light source cavity IP44)
- **Insulation Class:** Class II
- **Operating Temperature:** -20°C~40°C

### Product Specifications

- **Cutoff Angle:** Ø100x100mm
- **Ceiling Thickness:** 1mm~20mm
- **Shading Angle:** 30°
- **LED Type:** COB
- **Source Lm:** 2000lm
- **LED Lifetime:** >50000h-L70 /B10-Ta25°C(LM-80/TM-21)
- **CCT/CRI:** 2700K~6000K Tunable, CRI≥90
- **Input:** 220V AC / 50Hz
- **Dimming:** DALI (must do match test with project site system in advance) .
- **Net Weight:** Approx. 0.6Kg, excluding packaging

### Order Model

Model	Size	Trim	LED	Driver	Beam	CCT	Reflector	Finish
ADDT	4	1	LM18	A DALI	1 18°	CC	B Black	WT White
Downlight	4"	Sqaure Trim	COB 18W	N No Driver	2 28°	2700K~6000K	S Specular	BK Black
Directional					3 38°	(Tunable)		
T series					5 50°			

Example: ADDT45-LM18A2CCSWT

# VOLTA TUNABLE- MODEL: ADDT45

# WAC LIGHTING

## 4" Square Narrow Tunable Recessed Downlight

Project Name:

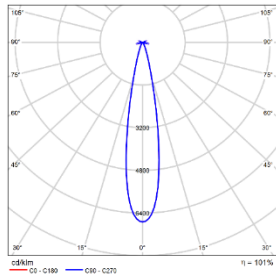
Type:

### Accessory

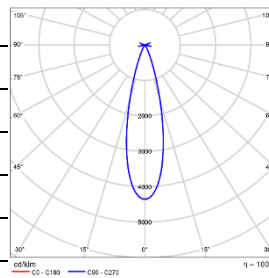
<b>LENS-ADDT41-BEL</b> Striped Glass Lens		<b>LENS-ADDT41-HCL</b> Rimless Honeycomb Grid	
--	---	--	---

Note: Up to one additional optical accessory can be installed, the factory does not come with accessories, need to be ordered separately.

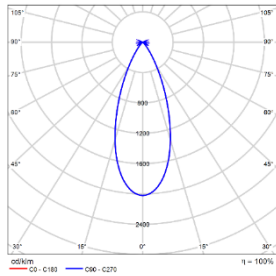
### Light Distribution@3000K Data



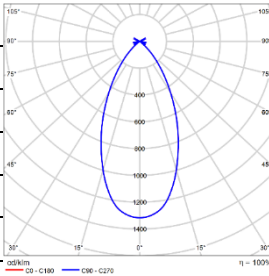
<b>MODEL:</b>	ADDT45-LM18A1CCSWT
<b>BEAM ANGLE:</b>	18°
<b>POWER:</b>	21W
<b>LUMENS:</b>	1349lm
<b>CBCP:</b>	9081cd
<b>EFFICACY:</b>	64lm/W



<b>MODEL:</b>	ADDT45-LM18A2CCSWT
<b>BEAM ANGLE:</b>	28°
<b>POWER:</b>	21W
<b>LUMENS:</b>	1384lm
<b>CBCP:</b>	6025cd
<b>EFFICACY:</b>	66lm/W



<b>MODEL:</b>	ADDT45-LM18A3CCSWT
<b>BEAM ANGLE:</b>	38°
<b>POWER:</b>	21W
<b>LUMENS:</b>	1421lm
<b>CBCP:</b>	2871cd
<b>EFFICACY:</b>	68lm/W



<b>MODEL:</b>	ADDT45-LM18A5CCSWT
<b>BEAM ANGLE:</b>	50°
<b>POWER:</b>	21W
<b>LUMENS:</b>	1184lm
<b>CBCP:</b>	1558cd
<b>EFFICACY:</b>	56lm/W

# VOLTA TUNABLE- MODEL: ADDT55

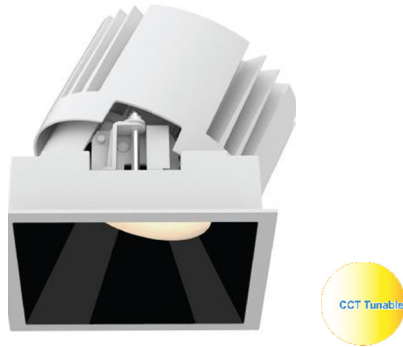
# WAC LIGHTING

## 5" Square Narrow Tunable Recessed Downlight

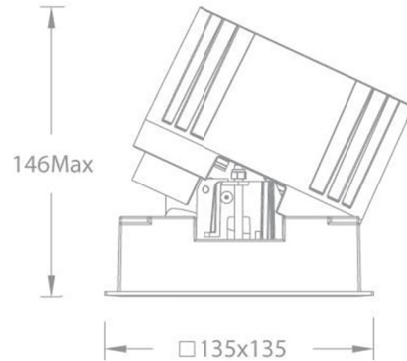
Project Name:

Type:

Product Image



Line Drawing



### Product Description

VOLTA Tunable series LED square narrow recessed downlight, streamlined appearance, with precise lens and black mirror reflector design. It guarantees light output while still achieving the ultimate anti-glare effect, and the light source cavity is sealed to minimize the impact of humid environment on its performance. Free to remove and replace the reflector or optical accessories, greatly improving the convenience of the site. Mainly suitable for hotel and commercial indoor places.

### Product Features

- **Body Material:** Aluminum die-casting lamp body
- **Optical System:** Lens+Reflector
- **Finish:** Electrostatic powder coating
- **Objection Angle:** Vertical 0-25° adjustable
- **Accessory / Bracket:** See attachment
- **Certification:** CCC
- **IP Rating:** IP20 (light source cavity IP44)
- **Insulation Class:** Class II
- **Operating Temperature:** -20°C~40°C

### Product Specifications

- **Cutoff Angle:** Ø125x125mm
- **Ceiling Thickness:** 1mm~25mm
- **Shading Angle:** 30°
- **LED Type:** COB
- **Source Lm:** 2500lm
- **LED Lifetime:** >50000h-L70 /B10-Ta25°C(LM-80/TM-21)
- **CCT/CRI:** 2700K~6000K Tunable, CRI≥90
- **Input:** 220V AC / 50Hz
- **Dimming:** DALI (must do match test with project site system in advance) .
- **Net Weight:** Approx. 1.1Kg, excluding packaging

### Order Model

Model	Size	Trim	LED	Driver	Beam	CCT	Reflector	Finish
ADDT Downlight Directional T series	5	1	LM25	A DALI	1 18°	CC 2700K~6000K (Tunable)	B Black	WT White
	5"	Square Trim	COB 25W	N No Driver	2 28°		S Specular	BK Black
					3 38°			
					5 50°			

Example: ADDT55-LM25A2CCSWT

# VOLTA TUNABLE- MODEL: ADDT55

# WAC LIGHTING

## 5" Square Narrow Tunable Recessed Downlight

Project Name:

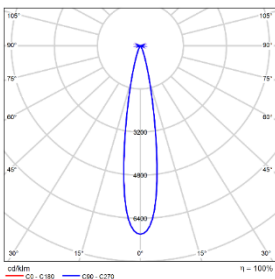
Type:

### Accessory

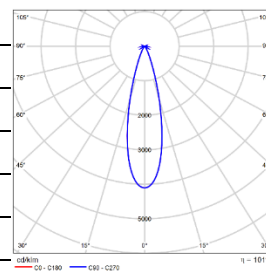
<b>LENS-ADDT51-BEL</b> Striped Glass Lens		<b>LENS-ADDT51-HCL</b> Rimless Honeycomb Grid	
--	---	--	---

Note: Up to one additional optical accessory can be installed, the factory does not come with accessories, need to be ordered separately.

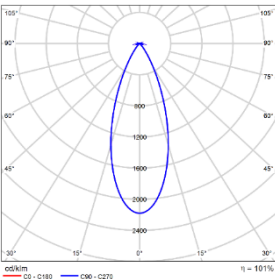
### Light Distribution@3000K Data



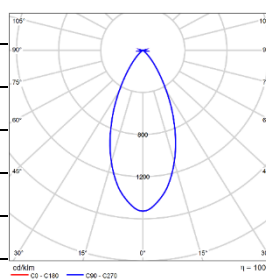
**MODEL:** ADDT51-LM25A1CCSWT  
**BEAM ANGLE:** 18°  
**POWER:** 28W  
**LUMENS:** 2094lm  
**CBCP:** 14632cd  
**EFFICACY:** 75lm/W



**MODEL:** ADDT51-LM25A2CCSWT  
**BEAM ANGLE:** 28°  
**POWER:** 28W  
**LUMENS:** 1967lm  
**CBCP:** 8073cd  
**EFFICACY:** 70lm/W



**MODEL:** ADDT51-LM25A3CCSWT  
**BEAM ANGLE:** 38°  
**POWER:** 28W  
**LUMENS:** 2142lm  
**CBCP:** 4668cd  
**EFFICACY:** 77lm/W



**MODEL:** ADDT51-LM25A5CCSWT  
**BEAM ANGLE:** 50°  
**POWER:** 28W  
**LUMENS:** 1830lm  
**CBCP:** 2794cd  
**EFFICACY:** 65lm/W

# VOLTA TUNABLE - MODEL: ADDT65

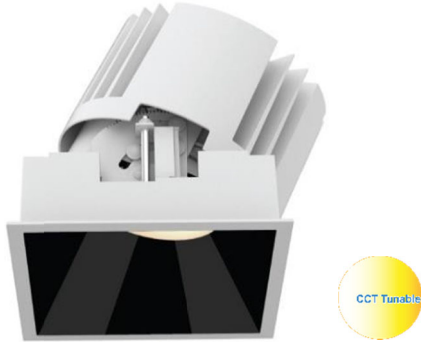
# WAC LIGHTING

## 6" Square Narrow Tunable Recessed Downlight

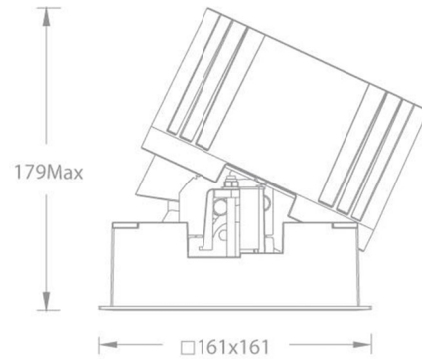
Project Name:

Type:

### Product Image



### Line Drawing



### Product Description

VOLTA series LED square narrow recessed downlight, streamlined appearance, with precise lens and black mirror reflector design. It guarantees light output while still achieving the ultimate anti-glare effect, and the light source cavity is sealed to minimize the impact of humid environment on its performance. Free to remove and replace the reflector or optical accessories, greatly improving the convenience of the site. Mainly suitable for hotel and commercial indoor places.

### Product Features

- **Body Material:** Aluminum die-casting lamp body
- **Optical System:** Lens+Reflector
- **Finish:** Electrostatic powder coating
- **Objection Angle:** Vertical 0-25° adjustable
- **Accessory / Bracket:** See attachment
- **Certification:** CCC
- **IP Rating:** IP20 (light source cavity IP44)
- **Insulation Class:** Class II
- **Operating Temperature:** -20°C~40°C

### Product Specifications

- **Cutoff Angle:** Ø150x150mm
- **Ceiling Thickness:** 1mm~30mm
- **Shading Angle:** 30°
- **LED Type:** COB
- **Source Lm:** 4500lm
- **LED Lifetime:** >50000h-L70 /B10-Ta25°C(LM-80/TM-21)
- **CCT/CRI:** 2700K~6000K Tunable, CRI≥90
- **Input:** 220V AC / 50Hz
- **Dimming:** DALI (must do match test with project site system in advance) .
- **Net Weight:** Approx. 1.7Kg, excluding packaging

### Order Model

Model	Size	Trim	LED	Driver	Beam	CCT	Reflector	Finish
ADDT Downlight	6	1	LM43	A DALI	1 18°	CC	B Black	WT White
Directional T series	6"	Square Trim	COB 43W	N No Driver	2 28° 3 38° 5 50°	2700K~6000K (Tunable)	S Specular	BK Black

Example: ADDT65-LM43A2CCSWT

WAC Lighting  
www.waclighting.com (US)  
www.waclighting.net (International)

Headquarters  
44 Harbor Park Drive • Port Washington, NY  
Phone (516) 515.5000 • Fax (516) 515.5050

WAC Lighting Technology (Shanghai) Co, Ltd.  
14,Lane 299, Bi Sheng Road,Shanghai 201204  
Phone (86.21) 3393.3558 • Fax (86.21) 3362.1598

WAC Lighting reserves the right to periodically design and update products. 2024-03-26

# VOLTA TUNABLE - MODEL: ADDT65

# WAC LIGHTING

## 6" Square Narrow Tunable Recessed Downlight

Project Name:

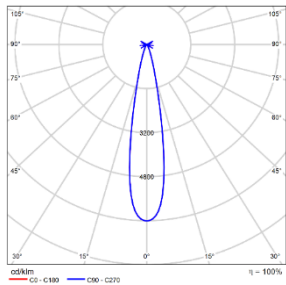
Type:

### Accessory

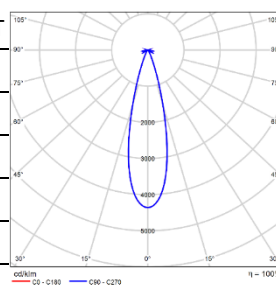
<b>LENS-ADDT61-BEL</b> Striped Glass Lens		<b>LENS-ADDT61-HCL</b> Rimless Honeycomb Grid	
--	---	--	---

Note: Up to one additional optical accessory can be installed, the factory does not come with accessories, need to be ordered separately.

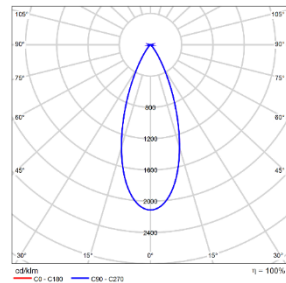
### Light Distribution@3000K Data



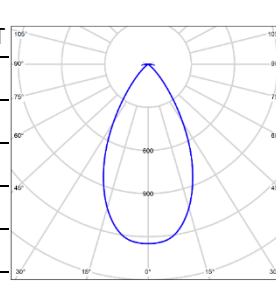
**MODEL:** ADDT65-LM43A1CCSWT  
**BEAM ANGLE:** 18°  
**POWER:** 47W  
**LUMENS:** 3254lm  
**CBCP:** 20859cd  
**EFFICACY:** 65lm/W



**MODEL:** ADDT65-LM43A2CCSWT  
**BEAM ANGLE:** 28°  
**POWER:** 47W  
**LUMENS:** 3271lm  
**CBCP:** 14257cd  
**EFFICACY:** 70lm/W



**MODEL:** ADDT65-LM43A3CCSWT  
**BEAM ANGLE:** 38°  
**POWER:** 47W  
**LUMENS:** 3367lm  
**CBCP:** 7111cd  
**EFFICACY:** 72lm/W



**MODEL:** ADDT65-LM43A5CCSWT  
**BEAM ANGLE:** 50°  
**POWER:** 47W  
**LUMENS:** 3249lm  
**CBCP:** 4052cd  
**EFFICACY:** 69lm/W